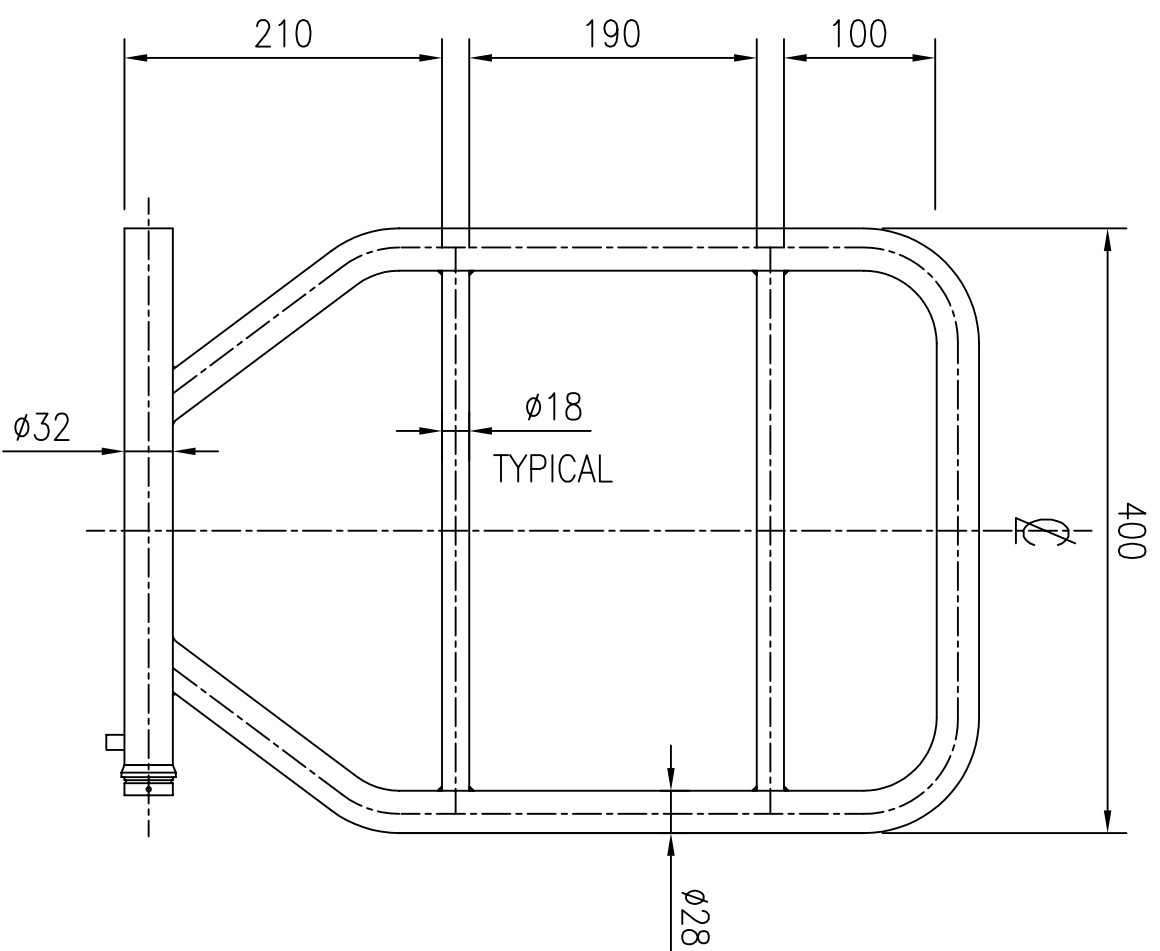
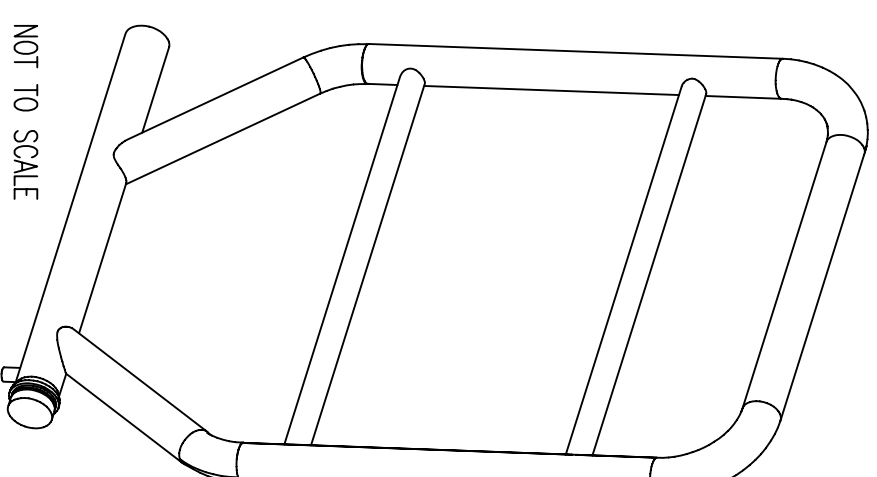
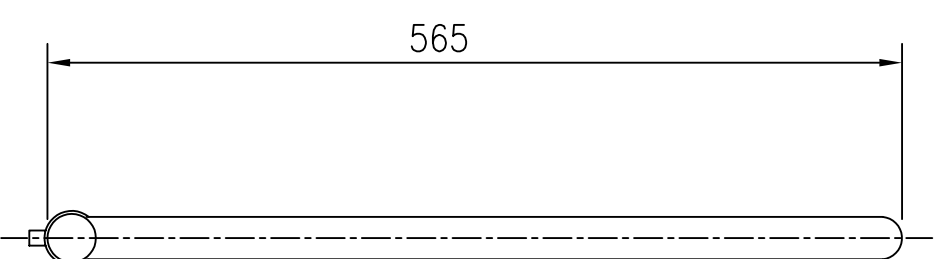


FRONT ELEVATION



SIDE ELEVATION



ELEMENT: 40W      230v - 240v      50Hz  
 WEIGHT: 3.5KG  
 SURFACE FINISH: CHROMIUM PLATED  
 TO BS EN 12540:2000 COND. 3  
 HEAT TRANSFER FLUID: HEAT TRANSFER OIL  
 MATERIALS: STEEL TUBE ERW TO BS 6323/5  
 BRONZE WELDED JOINTS

HAMPSHIRE ELECTRO  
 PLATING CO LTD.

69-75 Empress Road  
 Bevois Valley  
 Southampton  
 SO14 0JW  
 Tel: 023 8022 5639  
 Fax: 023 8063 9874  
 E-mail: enquiries@hepcold.co.uk  
 Web Site: www.hepcold.co.uk

Copyright © 2000

THIRD ANGLE PROJECTION	DATE	SCALE
	24/03/03	1 : 5

OIL FILLED ELECTRICALLY  
 HEATED TOWEL RAIL

MODEL  
**CMB46S**